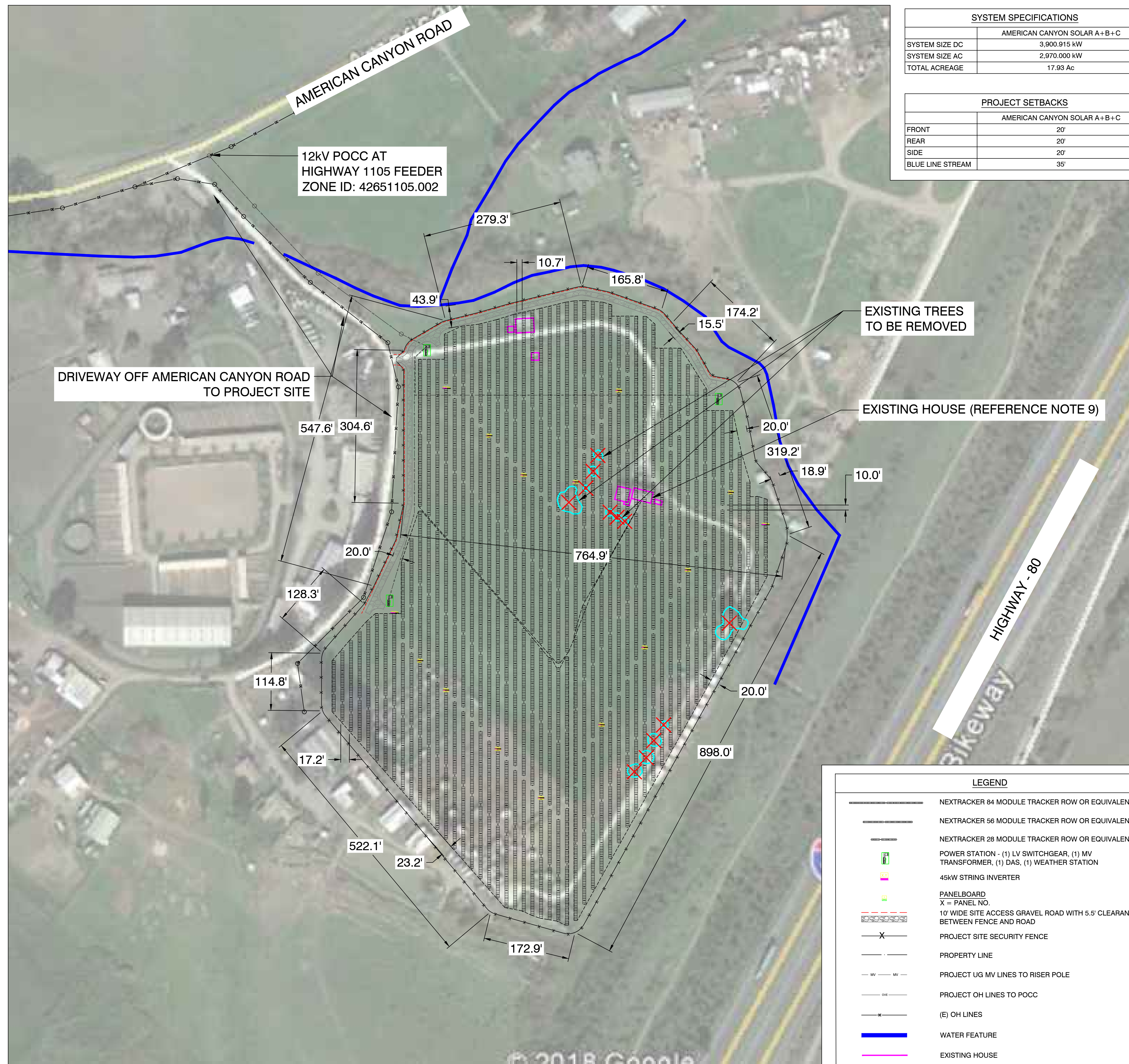


“G”

## Project Site Plan

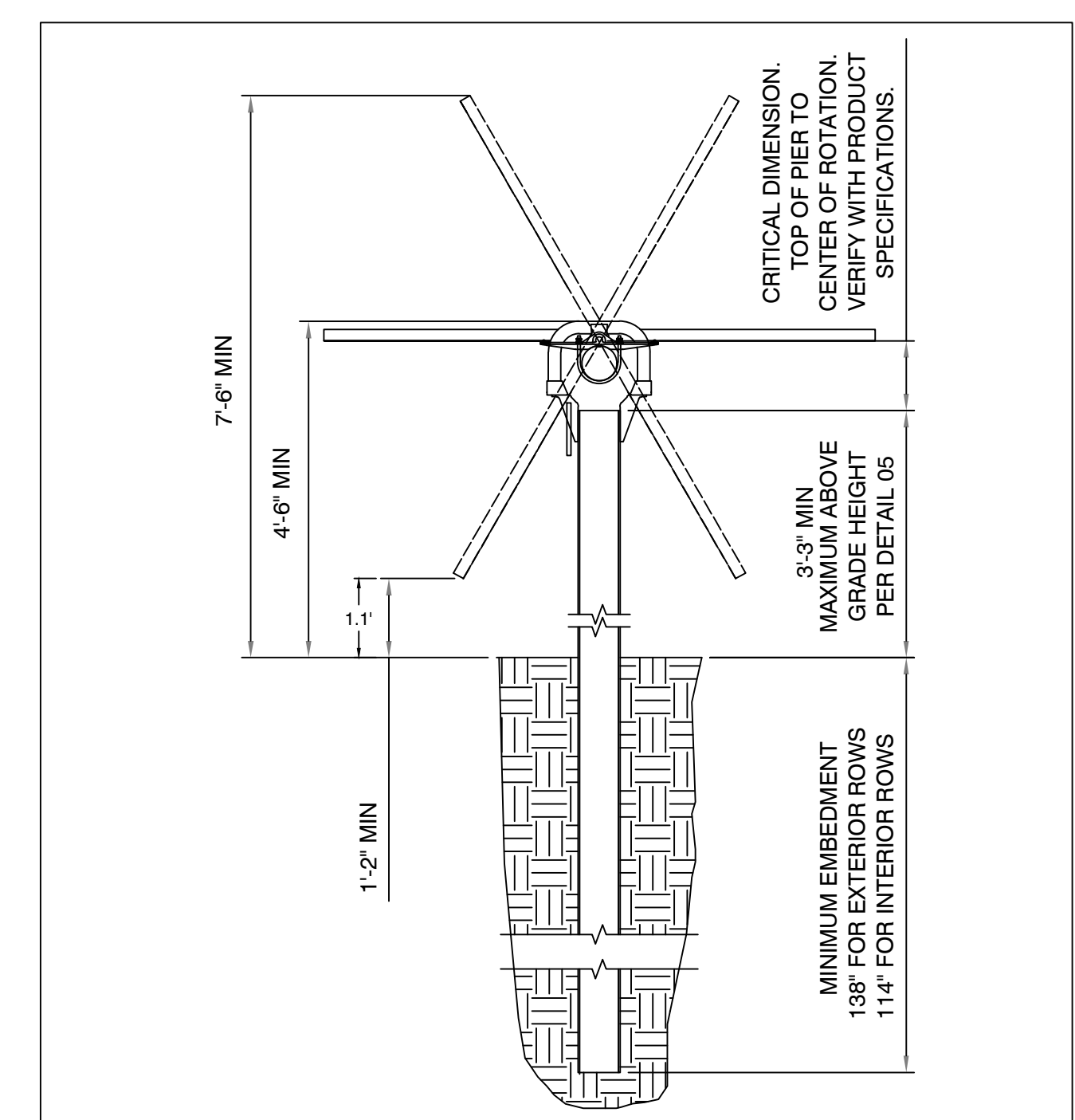


SYSTEM SPECIFICATIONS	
SYSTEM SIZE DC	AMERICAN CANYON SOLAR A+B+C 3,900.915 kW
SYSTEM SIZE AC	2,970.000 kW
TOTAL ACREAGE	17.93 Ac

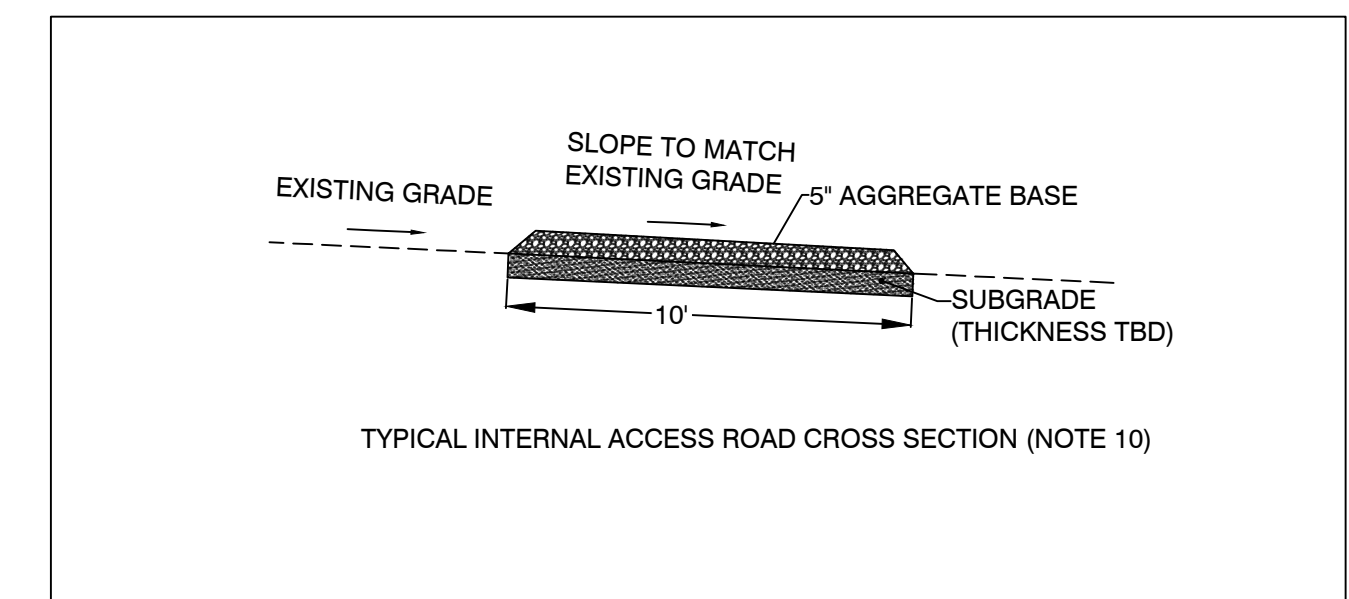
PROJECT SETBACKS	
FRONT	20'
REAR	20'
SIDE	20'
BLUE LINE STREAM	35'

SYSTEM SPECIFICATIONS			
	AMERICAN CANYON SOLAR A	AMERICAN CANYON SOLAR B	AMERICAN CANYON SOLAR C
SYSTEM SIZE DC	1304.100 kW	1304.100 kW	1304.100 kW
SYSTEM SIZE AC	990.000 kW	990.000 kW	990.000 kW
DC/AC RATIO	1.32	1.32	1.32
MODULE MODEL	HANWHA Q-CELLS 345W	HANWHA Q-CELLS 345W	HANWHA Q-CELLS 345W
MODULE RATING	345 W	345 W	345 W
TOTAL MODULE QTY	3780	3780	3780
MODULES PER STRING	28	28	28
TOTAL NO. OF STRINGS	135	135	135
INVERTER MODEL	HUAWEI SUN2000-45KTL-US	HUAWEI SUN2000-45KTL-US	HUAWEI SUN2000-45KTL-US
INVERTER RATING	45 KW	45 KW	45 KW
INVERTER QTY	22	22	22
STEP-UP TRANSFORMER	12KV/600V, 990KVA	12KV/600V, 990KVA	12KV/600V, 990KVA
RACKING	HSAT	HSAT	HSAT
INTER-ROW SPACING	10.7'	10.7'	10.7'
PITCH	17.2'	17.2'	17.2'
GCR	38%	38%	38%

- GENERAL NOTES**
- REFER TO SINGLE LINE DIAGRAM FOR DETAILS.
  - INSTALLATION TO COMPLY WITH NEC 2014 ARTICLE 690 AND ALL APPLICABLE LOCAL, STATE AND NATIONAL CODES OR REGULATIONS.
  - EQUIPMENT SHALL BE LABELED PER NEC 690 AND UTILITY REGULATIONS.
  - 10' ACCESS ROADS SHALL BE DESIGNED TO ACCOMMODATE ALL CONSTRUCTION, OPERATIONS, MAINTENANCE, AND UTILITY TRAFFIC THROUGHOUT THE SITE.
  - DIMENSIONS TO PROPERTY LINES AND EXISTING FEATURES ARE APPROXIMATE PENDING SURVEY.
  - LANDSCAPING WILL BE COMPLIANT TO THE BIOLOGICAL CONSTRAINTS ANALYSIS FOR LANDSCAPING AND WATER EFFICIENT LANDSCAPE ORDINANCE.
  - ALL TOPOGRAPHY, ELEVATION INFORMATION, DRAINAGE PATTERNS AND COURSES ARE SUBJECT TO THE OUTCOME OF DRAINAGE CALCULATIONS AND STORM WATER DRAINAGE REPORT (NOT YET PERFORMED).
  - A 15.5' ACCESS CORRIDOR WILL BE PROVIDED WHICH WILL CONSIST OF 10' GRAVEL ROAD WITH 5.5' CLEARANCE BETWEEN ROAD AND FENCE.
  - EXISTING HOUSE TO BE REMOVED.
  - THE CROSS SECTION OF THE PROPOSED 10 FT WIDE ROAD WILL MATCH THE EXISTING GRADE, WHICH SLOPES TOWARD THE PERIMETER FENCE. ROAD CROSS SECTIONS WILL BE DESIGNED TO DRAIN TOWARDS THE FENCE. FINAL CIVIL DESIGN WILL SPECIFY THE PROPOSED GRADES.



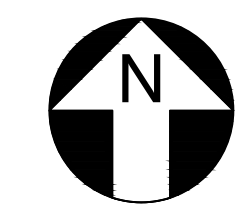
**2 RACKING ELEVATION**  
SCALE: NTS



**3 ROAD CROSS SECTION**  
SCALE: NTS

LEGEND	
	NEXTRACKER 84 MODULE TRACKER ROW OR EQUIVALENT
	NEXTRACKER 56 MODULE TRACKER ROW OR EQUIVALENT
	NEXTRACKER 28 MODULE TRACKER ROW OR EQUIVALENT
	POWER STATION - (1) LV SWITCHGEAR, (1) MV TRANSFORMER, (1) DAS, (1) WEATHER STATION
	45kW STRING INVERTER
	PANELBOARD X = PANEL NO.
	10' WIDE SITE ACCESS GRAVEL ROAD WITH 5.5' CLEARANCE BETWEEN FENCE AND ROAD
	PROJECT SITE SECURITY FENCE
	PROPERTY LINE
	PROJECT UG MV LINES TO RISER POLE
	PROJECT OH LINES TO POCC
	(E) OH LINES
	WATER FEATURE
	EXISTING HOUSE

**1 ARRAY PLAN**  
SCALE: 1"=100'



APPLICANT:  
**ENGINEER:**  
CALIFORNIA ENGINEERING CO.  
**OWNER OF RECORD:**  
JHILA ZAREBI,  
AS TRUSTEE OF THE  
BARSTOW IRREVOCABLE TRUST  
**APN:**  
059-090-012 &  
059-090-016

**AMERICAN CANYON SOLAR A, B and C**

2180 AMERICAN CANYON RD,  
AMERICAN CANYON,  
CA 94503, USA  
LAT: 38.160724°  
LON: -122.214178°

REV. NO	DESCRIPTION	DATE
1	REVISION PER COUNTY COMMENTS	05/29/18
0	USE PERMIT APPLICATION	03/27/18

SHEET TITLE:  
**PRELIMINARY LAYOUT**

DRAWING NO.:  
**PV-100**

DRAWN BY:  
LR  
REVIEWED BY:  
DATE:  
05/29/18  
SCALE:  
AS SHOWN  
PROJECT NO.: