



#4113043.0
May 1, 2014

Sean Trippi
Napa County Planning, Building & Environmental Services
1195 Third Street, Suite 210
Napa, CA 94559

RE: Yountville Hill Winery – Use Permit #P13-00279

Dean Sean:

This letter responds to Bill Hurley's comments regarding the County of Napa's Initial Study for the Yountville Hill Winery Project, (CIWQS File 803991, dated March 14, 2014). Specifically, we are providing more information describing the 3-sided box culvert that is proposed for the drainage crossing.

The 3-sided box culvert will be designed to span the dominant discharge flow stage of the creek with the abutments and deck placed above the ordinary high water mark (OHWM). No fill or bridge supports are proposed below the OHWM.

The attached stream crossing exhibit shows the spanning nature of the structure related to the creek channel and the OHWM that was provided by biologist Jane Valerius. Also attached is a schematic drawing of the type of structure proposed.

Based on our field consultation meetings, we expect that the California Department of Fish and Wildlife will require native riparian plantings as part of the Section 1600 application process. We understand the importance of the riparian environment, and have proposed a crossing that would be equivalent to the no-impact alternative that was described in Comment 1 of the response letter.

If you have any questions, please contact Phill Blake, our Agriculture and Natural Resources Advisor at (707) 252-3301, or via e-mail at pblake@rsacivil.com

Sincerely,

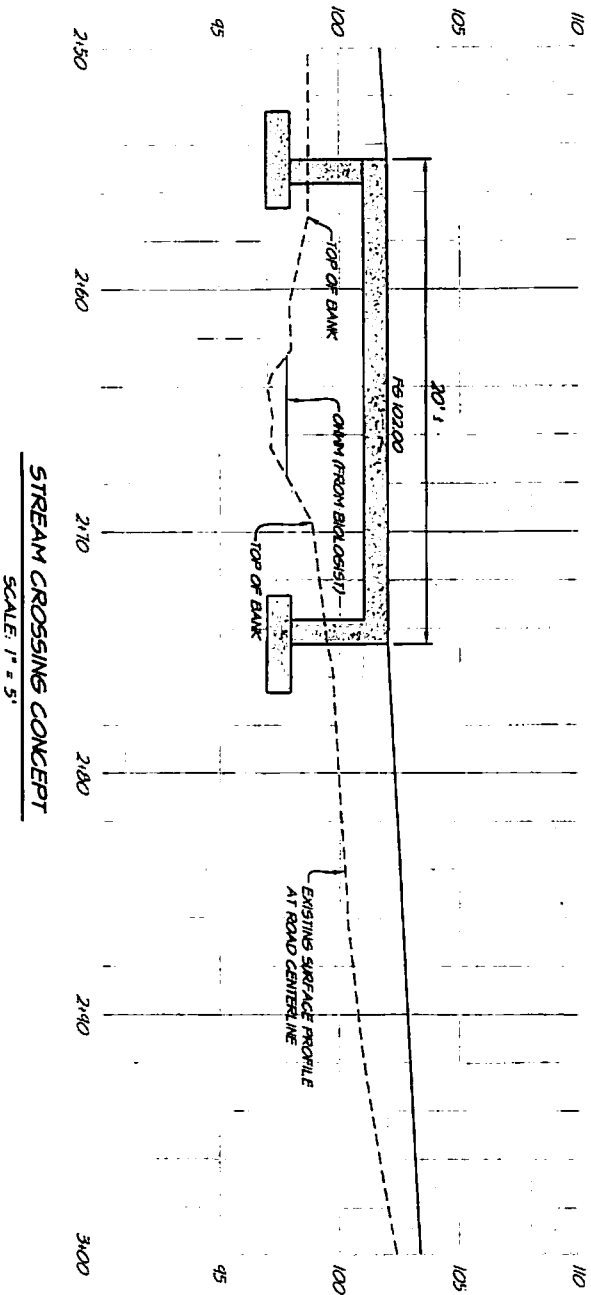


Bruce Fenton, P.E.
Project Manager
Riechers Spence & Associates

ATTACH: Stream Crossing Exhibit section drawing
3-Sided Box Culvert Schematic

Cc: Fred Hetzel, SF Bay RWQCB, Oakland
State Clearinghouse, P.O. Box 3044, Sacramento, CA 95812-3044
ACOE, SF Regulatory Branch,
Laurie Monarres, Laurie.A.Monarres@usace.army.mil
Cameron Johnson, Cameron.L.Johnson@usace.army.mil
Jane Hicks, Jane.M.Hicks@usace.army.mil
Suzanne Gilmore, CA Department of Fish and Wildlife
Lester Hardy, Law Offices of Lester F. Hardy
Eric Sklar, CS2 Wines LLC

YOUNTVILLE HILL WINERY STREAM CROSSING EXHIBIT

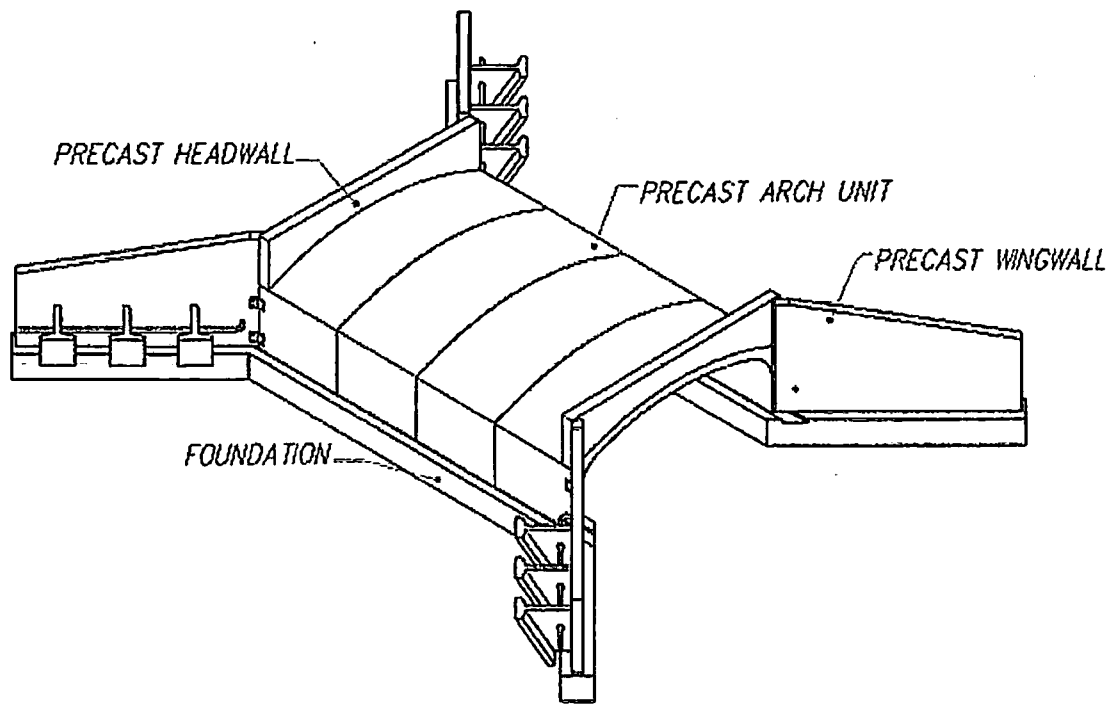


- NOTES**
1. FREE SPANNING 3-SIDED BOX CULVERT IS PROPOSED.
 2. NO FILL OR CONSTRUCTION WITHIN ORDINARY HIGH WATER MARK (OHWM) STAGE OF CREEK.
 3. MITIGATION TO MEET CALIFORNIA DEPARTMENT OF FISH & WILDLIFE REQUIREMENTS.

**RICHERS
SPENCE
ASSOCIATES**
CONSULTING CIVIL ENGINEERS

1515 Fourth Street
Napa, Calif. 94559
V 707.252.3501
F 707.252.4966

APRIL 30, 2014
41020300 Enh-Stream Crossing.dwg



3-SIDED BOX CULVERT SCHEMATIC