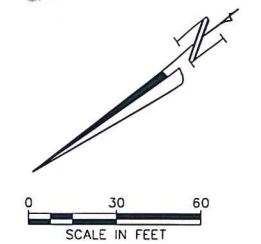


RECEIVED
 MAR 17 2016
 Napa County Planning, Building
 & Environmental Services



FOR PLAN REVIEW ONLY
 NOT FOR CONSTRUCTION

TUNNEL DESCRIPTION:	FLOOR AREA
BARREL STORAGE (PRODUCTION FACILITY)	= 10,210 SF
FERMENTATION (PRODUCTION FACILITY)	= 12,512 SF
BBL STORAGE / FERMENTATION ACCESSORY (PRODUCTION FACILITY)	= 6,218 SF
CAVE PRODUCTION FACILITY TOTAL	= 28,940 SF
ACCESSORY USE	= 4,484 SF
CAVE ACCESSORY USE TOTAL	= 4,484 SF
WINE CAVE TOTAL	= 33,424 SF

ESTIMATED SPOILS VOLUME:	
RAW TUNNEL VOLUME (UN-FACTORED)	= 21,070 CY
BULKING FACTOR	= 1.40
TOTAL FACTORED (LOOSE) TUNNEL SPOILS	= 29,498 CY

REV#	DATE	BY	DESCRIPTION
3	09/04/15	ASK	USE PERMIT RESUBMITTAL
2	04/10/15	ASK	USE PERMIT RESUBMITTAL
1	09/22/14	ASK	USE PERMIT RESUBMITTAL
0	02/05/14	ASK	FOR PERMIT

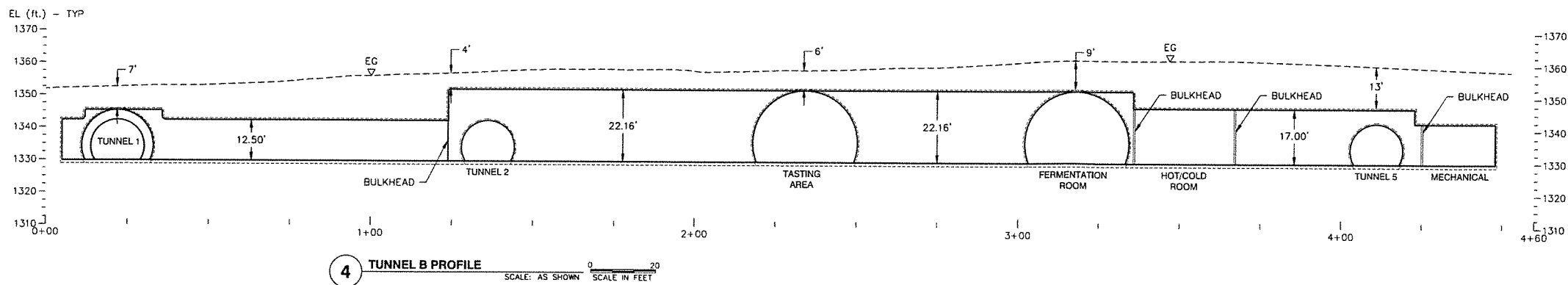
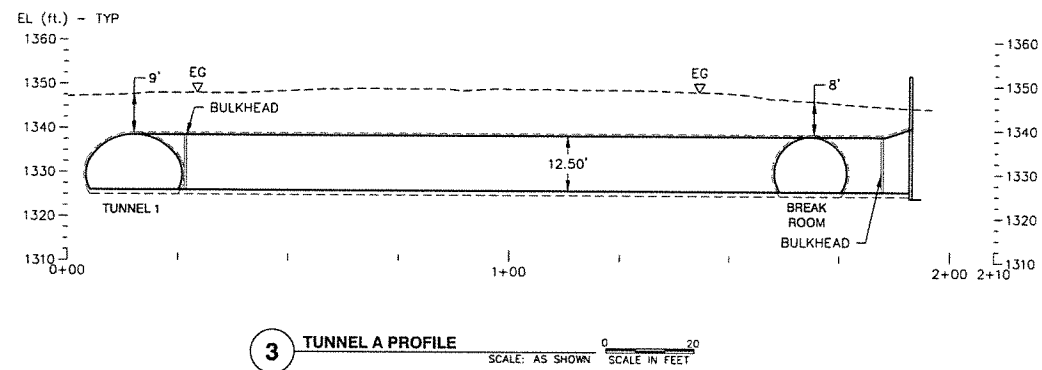
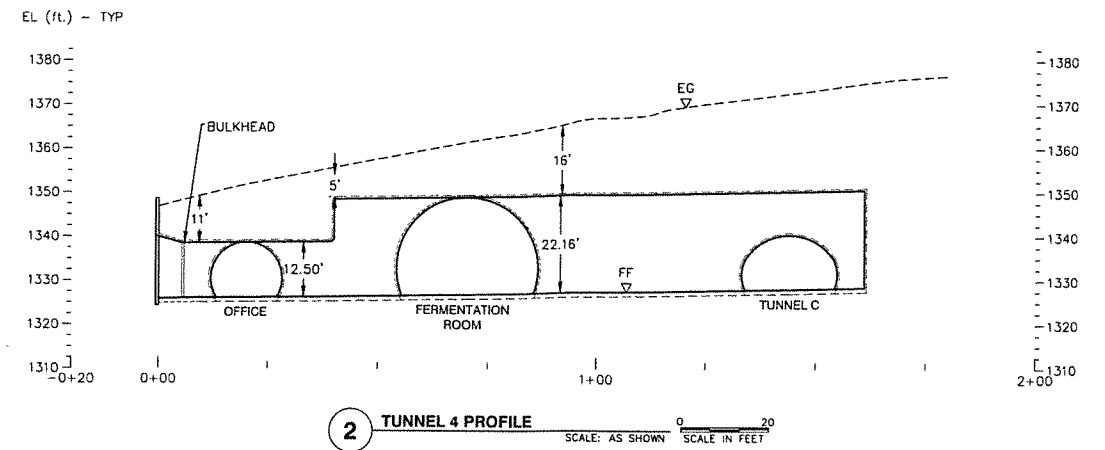
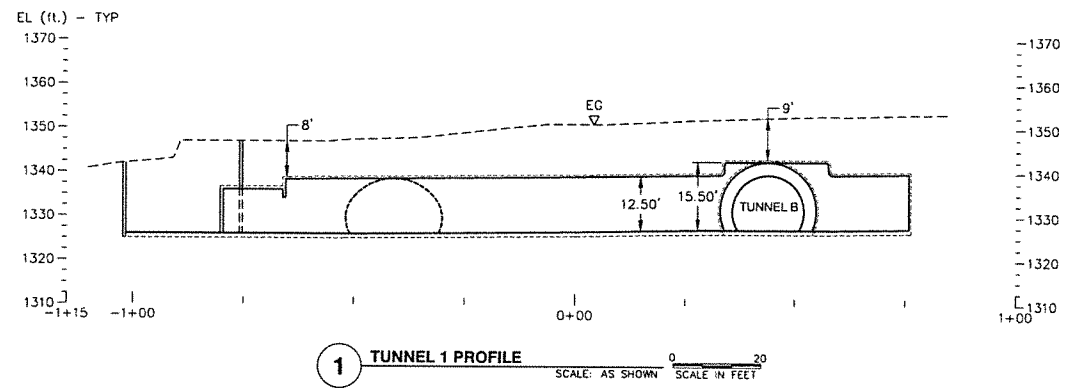
MOUNTAIN PEAK VINEYARDS
 WINE CAVE
 CAVE PLAN

CONDOR EARTH TECHNOLOGIES, INC.
 21663 Brian Lane
 P.O. Box 3905
 Sonoma, CA 95370
 (209) 532-0361
 fax (209) 532-0773
 www.condorearth.com

SHEET UP2.0

DISCLAIMER: THIS PLAN REPRESENTS FEATURES FOR ILLUSTRATION PURPOSES ONLY. IT IS NOT A LEGAL SURVEY AND IS NOT INTENDED FOR USE IN DETERMINING BOUNDARIES. ANY USE OF THIS PLAN FOR PURPOSES OTHER THAN FOR APPROXIMATE LOCATION OF FEATURES IS DONE SO AT THE USER'S RISK AND WITHOUT THE CONSENT OF CONDOR EARTH TECHNOLOGIES, INC.

X:\Project\6000-prj\6500 Mountain Peak Vineyards\6500_CAD\DWG\Use_Permit-3\6500_UP_3.dwg 9-15-15 03:17:39 PM kmckinley



FOR PLAN REVIEW ONLY
NOT FOR CONSTRUCTION

REV#	DATE	BY	DESCRIPTION
3	09/04/15	ASK	USE PERMIT RESUBMITTAL
2	04/10/15	ASK	USE PERMIT RESUBMITTAL
1	09/22/14	ASK	USE PERMIT RESUBMITTAL
0	02/05/14	ASK	FOR PERMIT

MOUNTAIN PEAK VINEYARDS

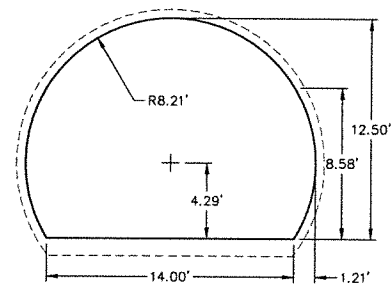
WINE CAVE

TUNNEL PROFILES

CONDOR EARTH TECHNOLOGIES, INC.
21663 Brian Lane
P.O. Box 3905
San Jose, CA 95170
(209) 532-0361
fax(209) 532-0773
www.condorearth.com

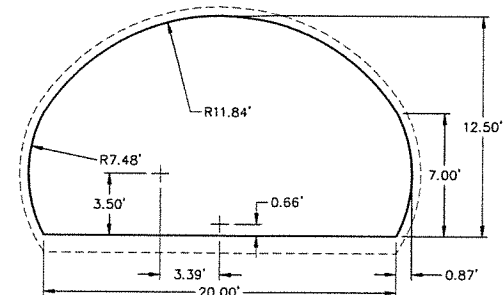
SHEET
UP3.0

JOB#: 6500 DRAWN: KAN SCALE: AS SHOWN
PRINTED: CHECKED: SWL FILE: 6500_UP_3

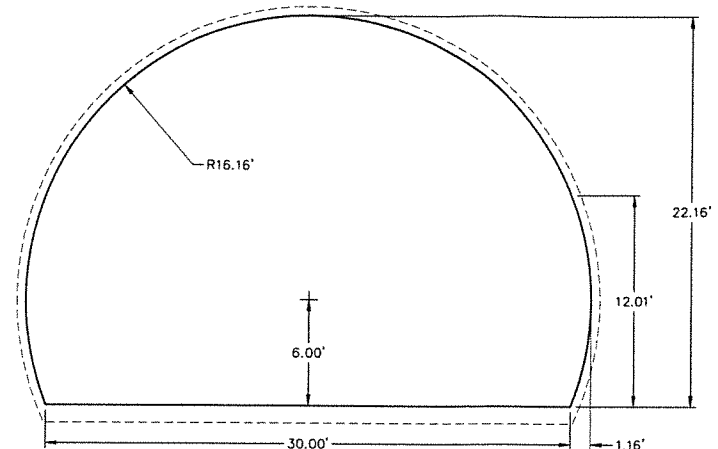


A 14'W X 12.5'H TUNNEL
SCALE: AS SHOWN

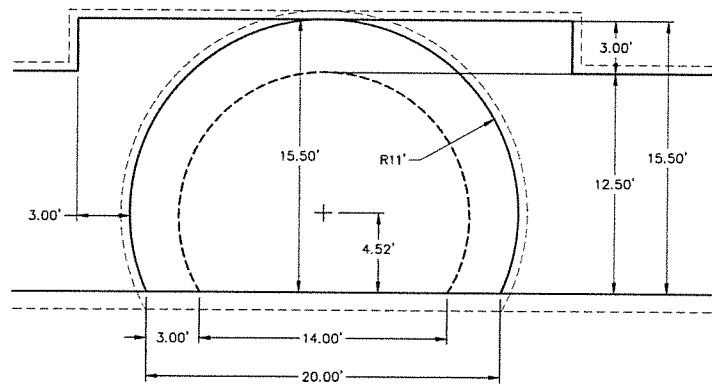
B NOT USED
SCALE: AS SHOWN



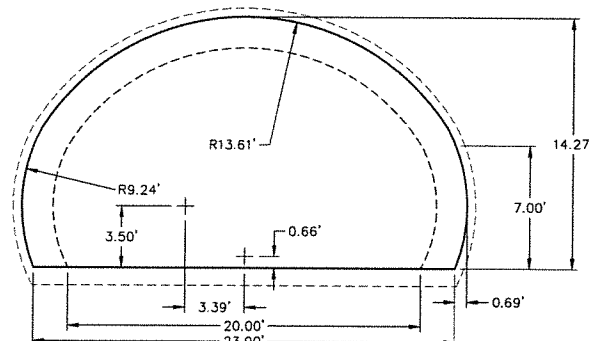
C 20.0'W X 12.5'H TUNNEL
SCALE: AS SHOWN



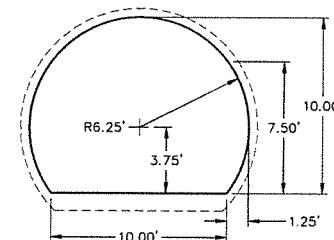
D 30.0'W X 22.16'H FERMENTATION TUNNEL
SCALE: AS SHOWN



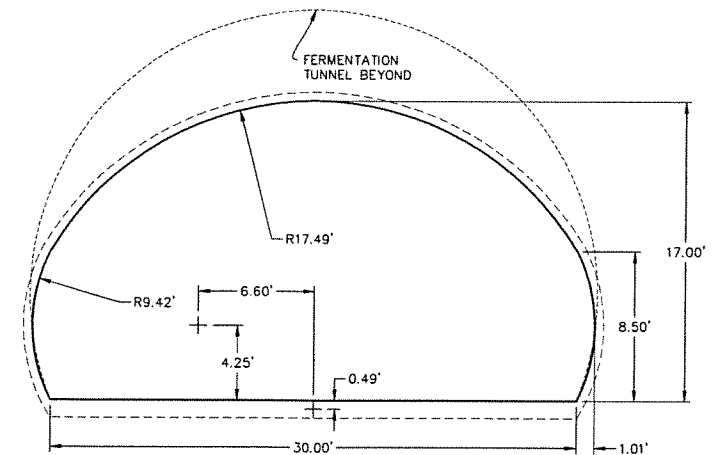
E 20.0'W X 15.5'H TUNNEL
SCALE: AS SHOWN



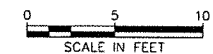
F 23.90'W X 14.27'H TUNNEL
SCALE: AS SHOWN



G 10.0'W X 10.0'H TUNNEL
SCALE: AS SHOWN



H 30.0'W X 17.0'H HOT/COLD TUNNEL
SCALE: AS SHOWN



FOR PLAN REVIEW ONLY
NOT FOR CONSTRUCTION

REV#	DATE	BY	DESCRIPTION
3	09/04/15	ASK	USE PERMIT RESUBMITTAL
2	04/10/15	ASK	USE PERMIT RESUBMITTAL
1	09/22/14	ASK	USE PERMIT RESUBMITTAL
0	02/05/14	ASK	FOR PERMIT

MOUNTAIN PEAK VINEYARDS
WINE CAVE
TUNNEL SECTIONS

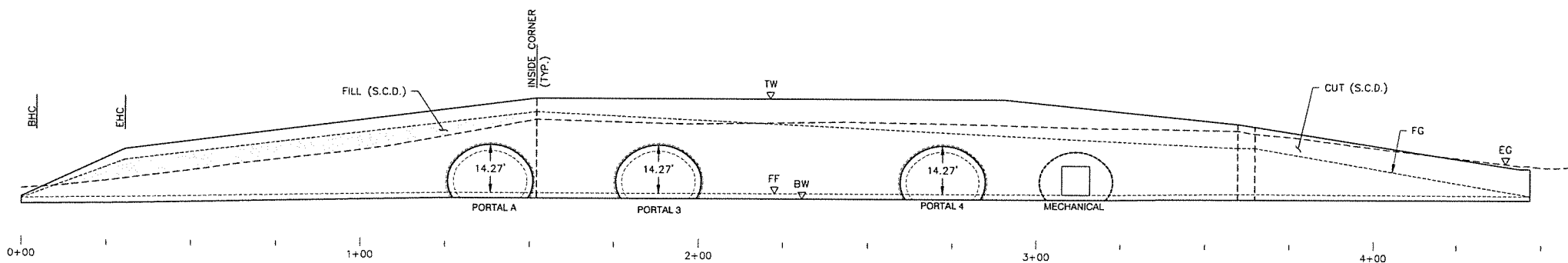
CONDOR EARTH TECHNOLOGIES, INC.
21663 Brian Lane
P.O. Box 3905
San Jose, CA 95370
(209) 532-0361
fax (209) 532-0773
www.condorearth.com

SHEET
UP3.1

JOB#: 6500 DRAWN: KAN SCALE: AS SHOWN
PRINTED: CHECKED: SWL FILE: 6500_UP_3

X:\Project\6000-pr\6500 Mountain Peak Vineyards\6500_CAD\DWG\Use_Permit-3\6500_UP_3.dwg 9-15-15 02:45:50 PM emckintey

EL. (ft.) - TYP
 1370
 1360
 1350
 1340
 1330
 1320
 1310



1370
 1360
 1350
 1340
 1330
 1320
 1310

1 SHOTCRETE RETAINING WALL
 ELEVATION

0 20
 SCALE IN FEET
 SCALE: AS SHOWN

FOR PLAN REVIEW ONLY
 NOT FOR CONSTRUCTION

REV#	DATE	BY	DESCRIPTION
3	09/04/15	ASK	USE PERMIT RESUBMITTAL
2	04/10/15	ASK	USE PERMIT RESUBMITTAL
1	09/22/14	ASK	USE PERMIT RESUBMITTAL
0	02/05/14	ASK	FOR PERMIT

MOUNTAIN PEAK VINEYARDS
 WINE CAVE
 PORTAL ELEVATION

CONDOR EARTH TECHNOLOGIES, INC.
 21663 Brian Lane
 P.O. Box 3905
 Somers, CA 95370
 (209) 532-0361
 fax(209) 532-0773
 www.condorearth.com

SHEET
UP4.0

JOB#: 6500 DRAWN: KAN SCALE: AS SHOWN
 PRINTED: CHECKED: SWL FILE: 6500_UP_3

x:\Project\6000_prj\6500 Mountain Peak Vineyards\6500_CAD\DWG\Use_Permit-3\6500_UP_3.dwg 9-15-15 02:47:03 PM kmckenley